



### Nominal data

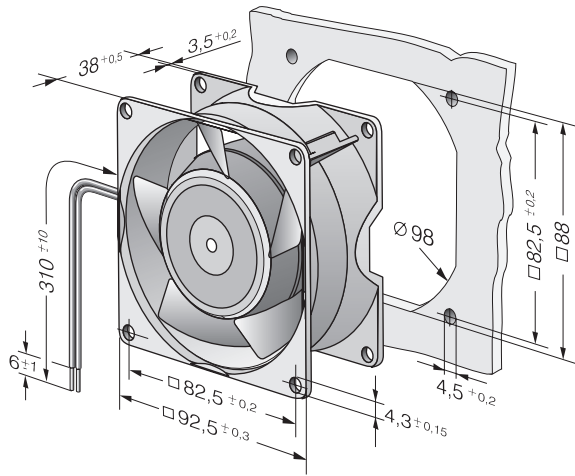
Type	3600	
Phase		1~
Nominal voltage	VAC	115
Frequency	Hz	60
Speed (rpm)	min <sup>-1</sup>	3100
Power consumption	W	11.0
Min. ambient temperature	°C	-10
Max. ambient temperature	°C	65
Air flow	m <sup>3</sup> /h	89
Sound power level	B	5.1
Sound pressure level	dB(A)	41

ml = Max. load · me = Max. efficiency · fa = Free air · cs = Customer specification · ce = Customer equipment  
Subject to change

**Technical description**

<b>Weight</b>	0.420 kg
<b>Dimensions</b>	92 x 92 x 38 mm
<b>Impeller material</b>	Sheet steel, painted black
<b>Housing material</b>	Die-cast aluminum
<b>Part no.</b>	9244014706
<b>Airflow direction</b>	Exhaust over struts
<b>Direction of rotation</b>	Clockwise, viewed toward rotor
<b>Bearing</b>	Sintec sleeve bearing
<b>Service life L10 at 40 °C</b>	55000 h
<b>Service life L10 at maximum temperature</b>	30000 h
<b>Cable</b>	With 2 leads AWG 18, TR 64 Grounding lug M4 x 8
<b>Motor protection</b>	Protected from overload by impedance protection
<b>Approval</b>	VDE, CSA, UL, CE

## Product drawing



## Curves: Air performance

